
EVALUATION BOARD FOR THE Si50x 3.2x4.0 MM SILICON OSCILLATORS

Description

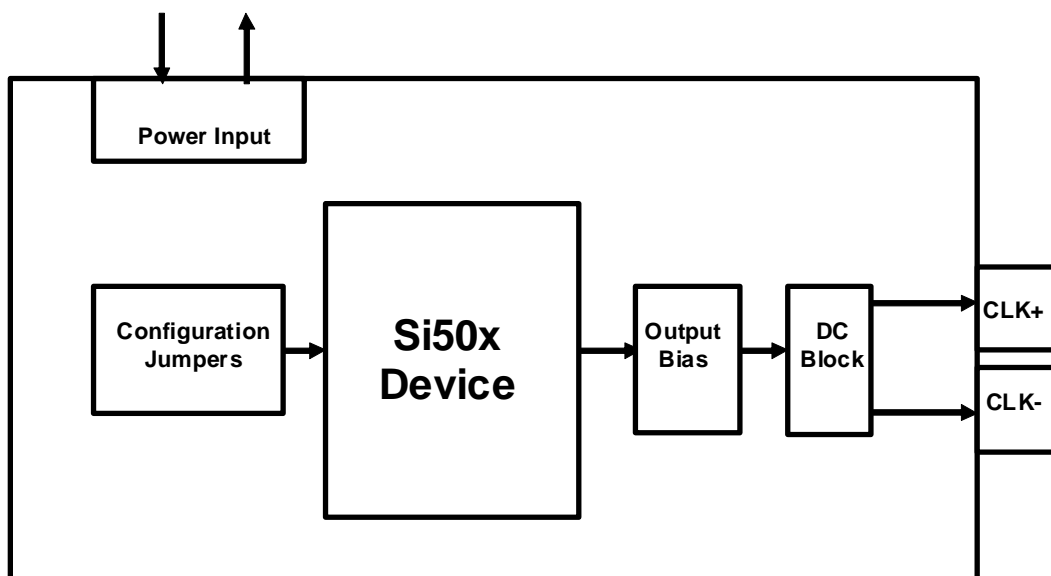
This document describes the operation of the Silicon Laboratories Si50x-32x4-EVB Rev 2.0 evaluation board to evaluate Silicon Laboratories' Si50x Silicon Oscillators in the 3.2x4.0 mm package. Devices currently available include the single-ended output Si500S and the differential output Si500D. The Si50x utilizes Silicon Laboratories' ultra stable silicon oscillator technology to achieve an inexpensive low jitter clock source. This unique oscillator technology is factory programmed to support any frequency between 900 kHz and 200 MHz. Unlike traditional XOs that require a unique quartz crystal resonator to generate each frequency, the Si50x uses programmable, compensated silicon oscillator architecture that is capable of operating over a wide range of output frequencies. In addition, Silicon Lab's compensated silicon oscillator provides stability comparable to fixed frequency crystal based oscillators. The Si50x is factory configurable for a wide variety of user specifications including frequency, supply voltage, output format, output drive strength, and OE behavior. Specific configurations are factory programmed at time of shipment, thereby eliminating long lead times associated with custom oscillators.

Si50x samples should be ordered at the same time as the Si50x-32x4-EVB since the EVB does not come with the device. This allows end users maximum flexibility. Silicon Laboratories can solder down samples when ordering an EVB; please specify when ordering.

Features

- Evaluation of Silicon Laboratories' Si50x devices
- Stuffing options support dc or ac coupled single-ended or differential output clocks
- Supports output signal formats: CMOS, HCSL, Low Power LVPECL, LVDS, LVPECL, or SSTL
- Jumper selections for OE and MODE (reserved for future use)

Functional Block Diagram



Si50x-32x4-EVB

1. Functional Description

The Si50x-32x4-EVB provides access to all I/O signals for configuring, operating, and testing the device. Jumpers and test points are provided as described below.

1.1. Power Supply

The Si50x supports operation from nominal voltages of 1.8, 2.5, and 3.3 V. Supply VDD and GND are wired in at the J1 ± terminals. Review the device data sheet and part number for allowed configurations of output buffer type and device power supply.

1.2. Jumpers

The jumpers at JP1 and JP2 allow one to pull up or pull down OE or MODE to VDD or GND. (The MODE signal is reserved for future use. It is not used by either the Si500S or the Si500D.) The current silkscreen for these jumpers is reproduced in Figure 1.

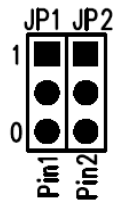


Figure 1. Jumpers Silkscreen

Pins 1 and 2 in Figure 1 refer respectively to the Si50x's OE and MODE pins. The jumper positions are illustrated in Figure 2.

The Si50x can be ordered with the OE pin pulled to the desired state, so the JP1 jumper would typically be needed only to access the opposing state.

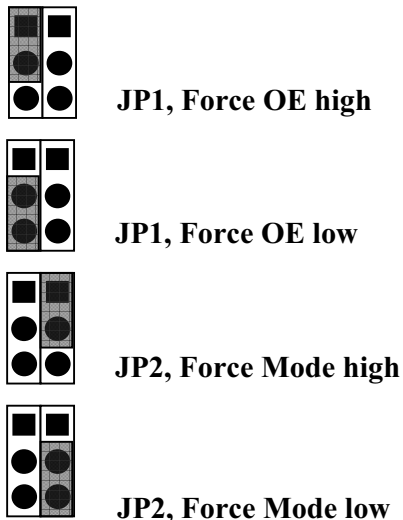


Figure 2. JP1-JP2 Jumper Positions

1.3. Preparing the EVB

By default, the evaluation board is set up to support ac-coupling of differential mode configured devices (i.e., Low Power LVPECL, LVDS, and SSTL). The stuffing variations for the supported output modes are tabulated in Table 1.

Table 1. Stuffing Variations

Driver	R1, R4	C2, C3	J2, J4	Instrument Termination
CMOS	empty	empty	empty	Active scope probes*
HCSL	empty	0.1 μ F	filled	Hi-Z
Low Power LVPECL	empty	0.1 μ F	filled	50 Ω
LVDS	empty	0.1 μ F	filled	50 Ω
LVPECL 2.5 V	100 Ω	0.1 μ F	filled	50 Ω
LVPECL 3.3 V	200 Ω	0.1 μ F	filled	50 Ω
SSTL	empty	0.1 μ F	filled	50 Ω

*Note: Use of Coax and 50 Ω termination produces good signal integrity but incorrect signal levels and power; use of Coax and Hi-Z produces extremely bad signal integrity.

1.3.1. LVPECL Biasing

Because the Si50x can support an LVPECL buffer type (in addition to CMOS, HCSL, LVDS, or SSTL), pulldown resistor locations (R1 and R4) are available for proper output biasing. For LVPECL buffers, correct biasing can be achieved through a variety of equivalent circuits; the Si50x-32x4-EVB allows for a commonly used approximation using pulldown resistors. After the output biasing, the high-speed outputs are dc-blocked for connection to differently biased inputs such as standard test equipment.

1.4. Test Points

There are 4 through-hole test points as follows:

- TP1—VDD
- TP2—Output CLK_N
- TP3—GND
- TP4—Output CLK

Test point TP1 is located near terminal J1. Test points TP2-TP4 are located in between the output connectors.

2. Schematics

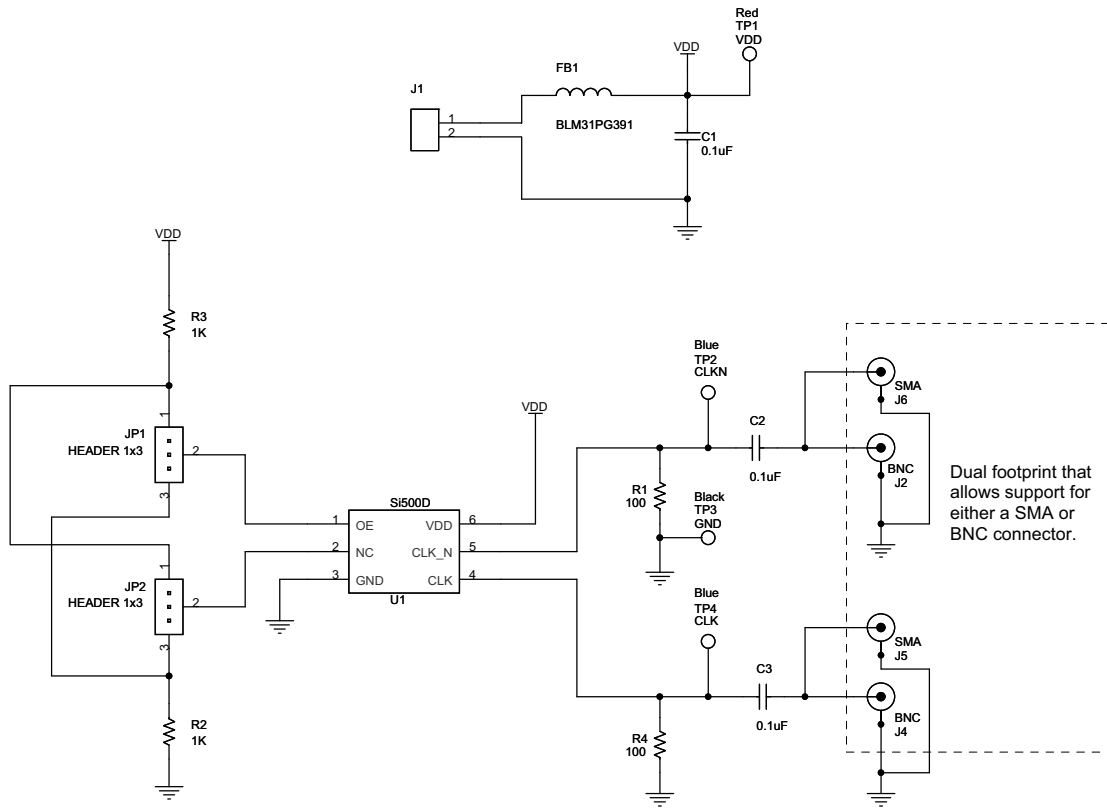


Figure 3. Si50x-32x4-EVB Schematic

Si50x-32x4-EVB

3. Bill of Materials

Item	Qty	Reference	Description	Manufacturer's #	Manufacturer
1	3	C1,C2,C3	0.1 μ F, 10V, \pm 20%, X7R, C0603	C0603X7R100-104M	Venkel
2	1	FB1	BLM31PG391, 3000mA, SMT, L1206	BLM31PG391SN1	MuRata
3	2	JP1,JP2	HEADER 1x3, Header, CONN-1X3	TSW-103-07-T-S	Samtec
4	1	J1	CONN TRBLK 2,CONN-1X2-TB	1729018	Phoenix Contact
5	2	R2,R3	1 k Ω , 1/10 W, \pm 1%, ThickFilm, R0603	CR0603-10W-1001F	Venkel
6	1	TP1	Test Point, Red, TESTPOINT	151-207	Kobiconn
7	2	TP2,TP4	Test Point, Blue, TESTPOINT	151-205	Kobiconn
8	1	TP3	Test Point, Black, TESTPOINT	151-230	Kobiconn
9	2	J5,J6	SMA, RF, CONN-SMA-RT	142-0701-301	Johnson Components
No Load					
10	2	J2,J4	BNC, CONN-BNC_RT	5413631-1	Tyco
11	2	R1,R4	100 Ω , 1/16 W, \pm 1%, ThickFilm, R0603	CR0603-16W-1000F	Venkel
12	1	U1	Si500	Si500	Silicon Laboratories

4. Layout

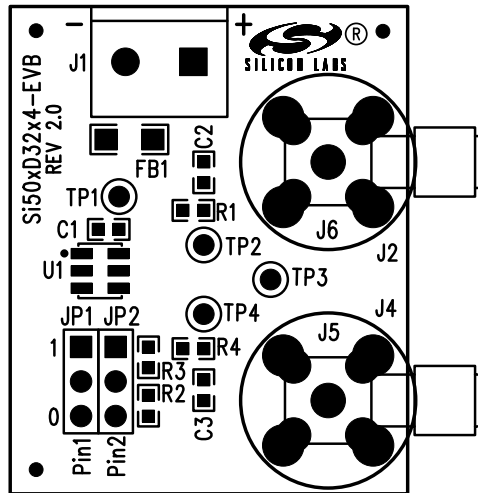


Figure 4. Assembly Drawing

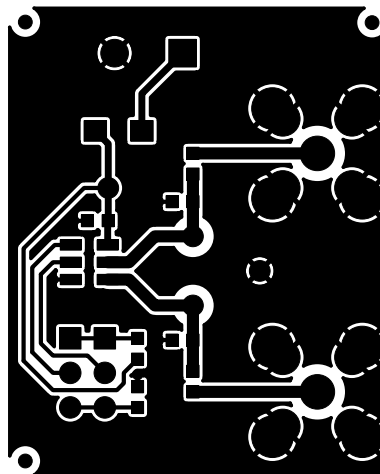


Figure 5. Layer 1 Primary

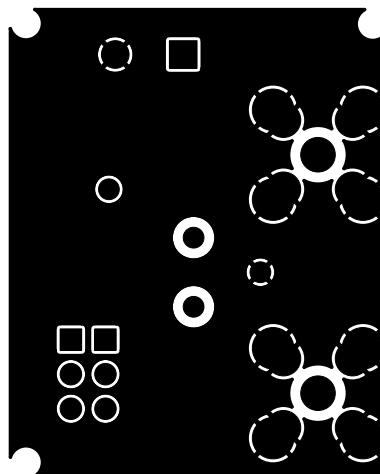


Figure 6. Layer 2 Secondary

Si50x-32x4-EVB

DOCUMENT CHANGE LIST

Revision 0.1 to Revision 0.2

- Revised text, schematic, layout, and BOM to reflect Si50x-32x4-EVB Rev. 2.0 instead of Rev. 1.0.

NOTES:



ClockBuilder Pro

One-click access to Timing tools, documentation, software, source code libraries & more. Available for Windows and iOS (CBGo only).

www.silabs.com/CBPro



Timing Portfolio
www.silabs.com/timing



SW/HW
www.silabs.com/CBPro



Quality
www.silabs.com/quality



Support and Community
community.silabs.com

Disclaimer

Silicon Laboratories intends to provide customers with the latest, accurate, and in-depth documentation of all peripherals and modules available for system and software implementers using or intending to use the Silicon Laboratories products. Characterization data, available modules and peripherals, memory sizes and memory addresses refer to each specific device, and "Typical" parameters provided can and do vary in different applications. Application examples described herein are for illustrative purposes only. Silicon Laboratories reserves the right to make changes without further notice and limitation to product information, specifications, and descriptions herein, and does not give warranties as to the accuracy or completeness of the included information. Silicon Laboratories shall have no liability for the consequences of use of the information supplied herein. This document does not imply or express copyright licenses granted hereunder to design or fabricate any integrated circuits. The products must not be used within any Life Support System without the specific written consent of Silicon Laboratories. A "Life Support System" is any product or system intended to support or sustain life and/or health, which, if it fails, can be reasonably expected to result in significant personal injury or death. Silicon Laboratories products are generally not intended for military applications. Silicon Laboratories products shall under no circumstances be used in weapons of mass destruction including (but not limited to) nuclear, biological or chemical weapons, or missiles capable of delivering such weapons.

Trademark Information

Silicon Laboratories Inc., Silicon Laboratories, Silicon Labs, SiLabs and the Silicon Labs logo, CMEMS®, EFM, EFM32, EFR, Energy Micro, Energy Micro logo and combinations thereof, "the world's most energy friendly microcontrollers", Ember®, EZLink®, EZMac®, EZRadio®, EZRadioPRO®, DSPLL®, ISOmodem®, Precision32®, ProSLIC®, SiPHY®, USBXpress® and others are trademarks or registered trademarks of Silicon Laboratories Inc. ARM, CORTEX, Cortex-M3 and THUMB are trademarks or registered trademarks of ARM Holdings. Keil is a registered trademark of ARM Limited. All other products or brand names mentioned herein are trademarks of their respective holders.



Silicon Laboratories Inc.
400 West Cesar Chavez
Austin, TX 78701
USA

<http://www.silabs.com>